

# Heavy Duty Return Flange Reducer Pre Galv

**Standard:**

BS EN 61537 Cable Management – cable tray systems and cable ladder systems.

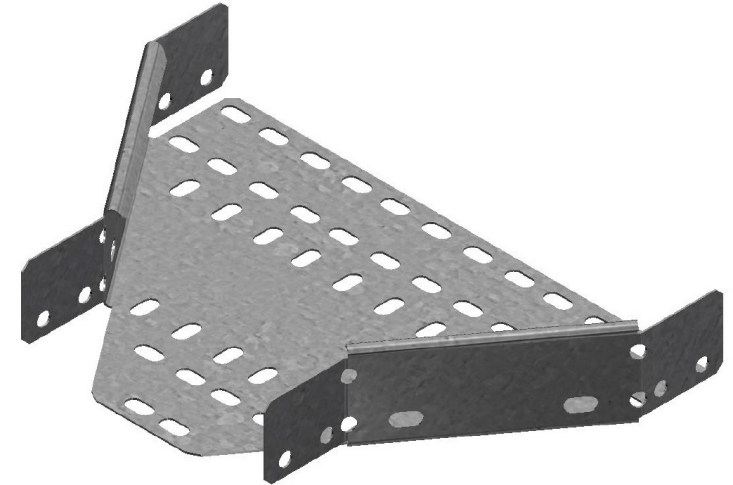
**Material and Finishes:**

Mild steel pre-galvanised PG.

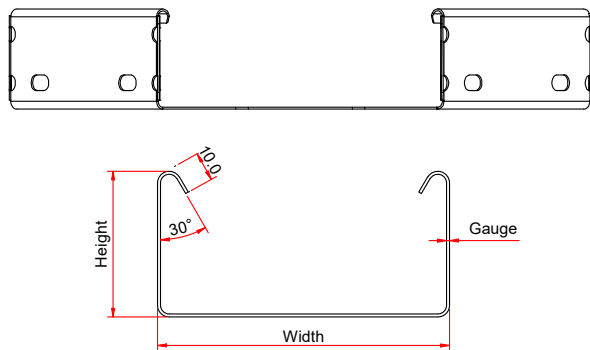
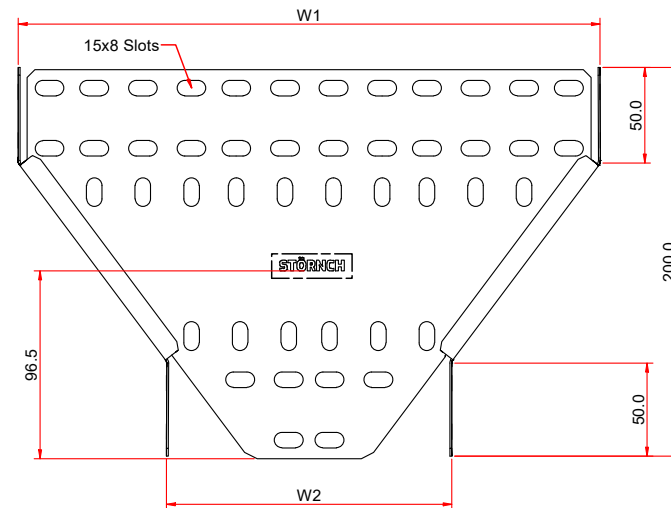
PG Manufactured from pre galvanised mild steel complying with BS EN 10346 with a typical zinc coating of 20µm.

**Product information:**

STÖRNCH cable tray systems are usually assembled using M6 roofing bolts to a torque setting of 12N/m.



| Code        | Width 1 mm | Width 2 mm | Height mm | Gauge mm |
|-------------|------------|------------|-----------|----------|
| GMSHCTR1510 | 150        | 100        | 50.9      | 0.9      |
| GMSHCTR2215 | 225        | 150        | 51        | 1.0      |
| GMSHCTR3022 | 300        | 225        | 51        | 1.0      |
| GMSHCTR4530 | 450        | 300        | 51.2      | 1.2      |
| GMSHCTR6045 | 600        | 450        | 51.2      | 1.2      |



The information in this datasheet is intended for reference purposes only and may be modified at any time without prior notice or obligation. All data is provided in good faith and is accurate to the best of our knowledge at the time of release.