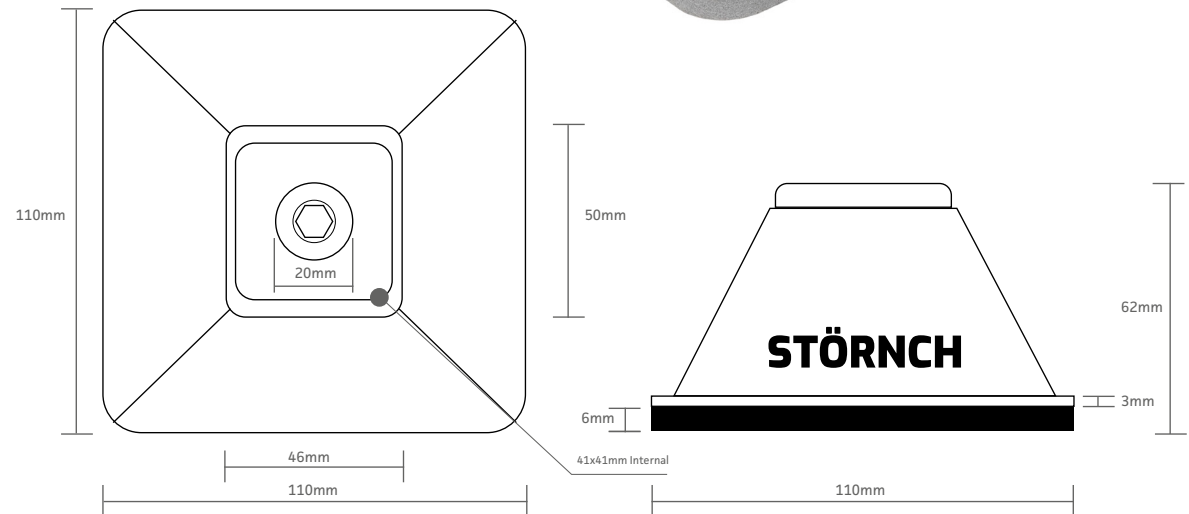


STÖRNCH Mini Foot

Lightweight support suited for pipework, cable tray, & basket etc
 Accommodates 41 x 41mm channel horizontally or vertically
 Recommended load – 25kg per foot
 c/w Anti-vibration pad

Code	Description
GMPMF110	Minifoot 110mm



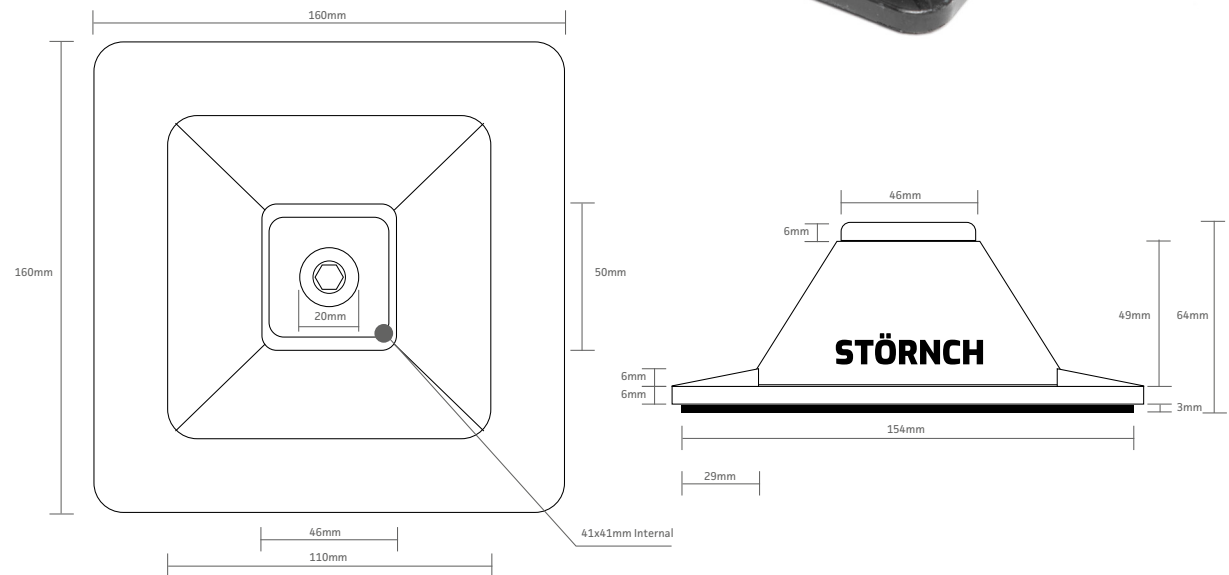
The information in this datasheet is intended for reference purposes only and may be modified at any time without prior notice or obligation. All data is provided in good faith and is accurate to the best of our knowledge at the time of release.

STÖRNCH Mini Foot

Lightweight support suited for pipework, cable tray, & basket etc
 Accommodates 41 x 41mm channel horizontally or vertically
 Recommended load – 50kg per foot
 c/w Anti-vibration pad



Code	Description
GMPMF160	Minifoot 160mm



The information in this datasheet is intended for reference purposes only and may be modified at any time without prior notice or obligation. All data is provided in good faith and is accurate to the best of our knowledge at the time of release.

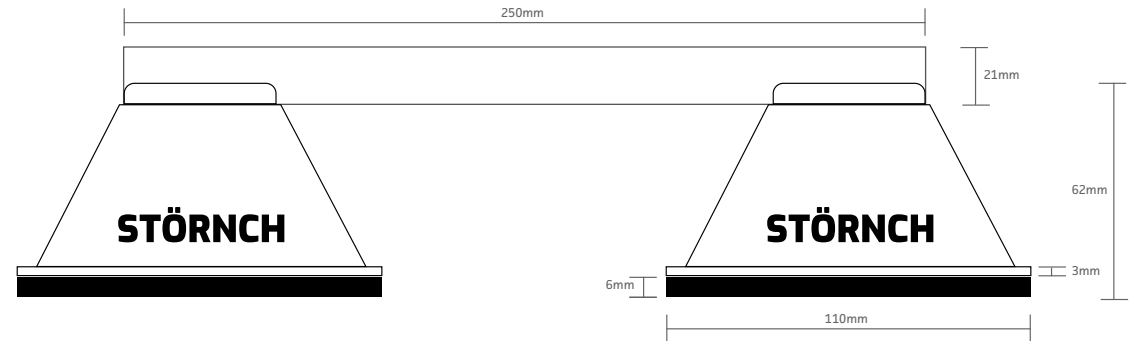
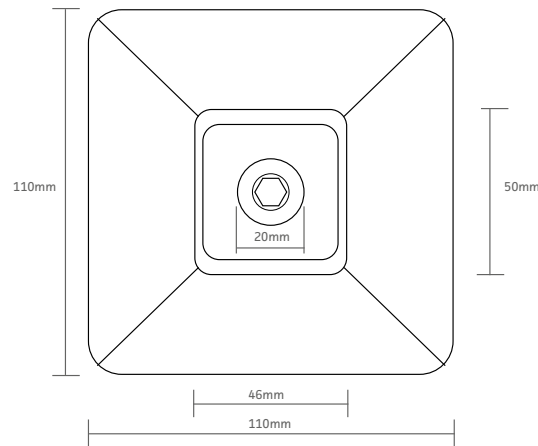


STÖRNCH Mini Foot

Non-penetrative pipe support
 Quick and easy to install
 c/w Anti-vibration pad
 Recommended load - 50kg per kit



Code	Description
GMPMF250	Minifoot 110mm kit with 250mm channel



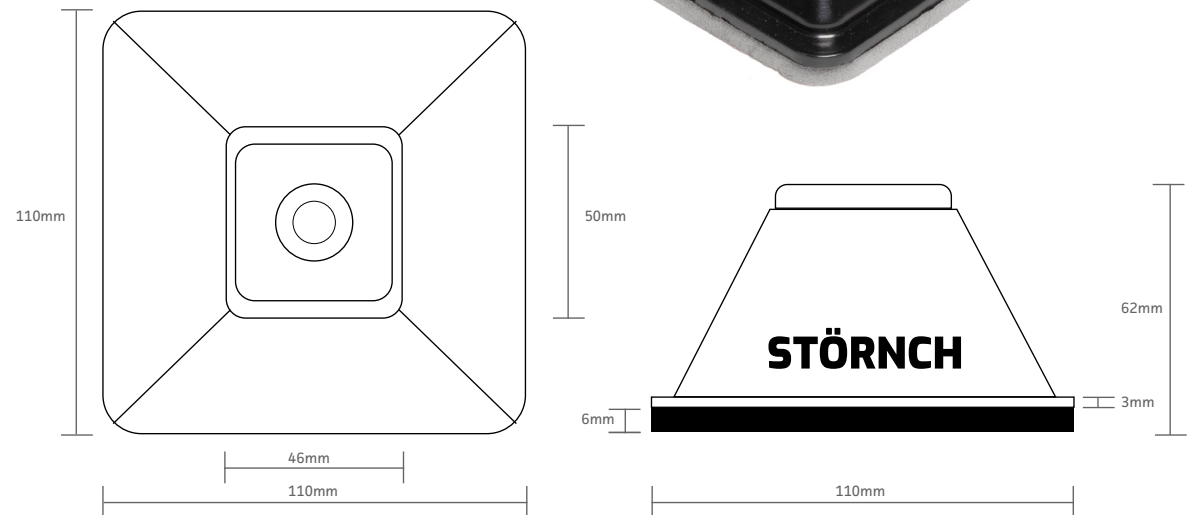
The information in this datasheet is intended for reference purposes only and may be modified at any time without prior notice or obligation. All data is provided in good faith and is accurate to the best of our knowledge at the time of release.



STÖRNCH Mini Foot

Non-penetrative pipe support
Quick and easy to install
c/w Anti-vibration pad
Recommended load – 25kg per foot
Works in conjunction with M8 threaded rod or fasteners

Code	Description
GMPMF8110	Minifoot 110mm with M8 thread



The information in this datasheet is intended for reference purposes only and may be modified at any time without prior notice or obligation. All data is provided in good faith and is accurate to the best of our knowledge at the time of release.

