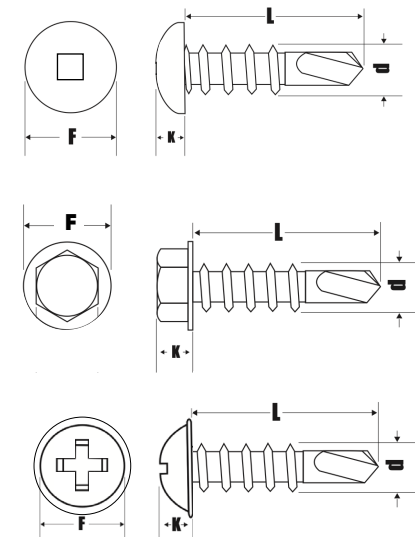


Self Drill Screws

- Hex head general purpose all metal anchor to be used on a whole range of construction materials including: concrete, concrete block, brick & stone. It is a one piece non expansion anchor, meaning that it does not require a wall plug or resin, and therefore makes it ideal for close to edge fixing applications. The threaded anchor and self tapping action, allow for safe anchorage, with the substrate becoming the nut to the bolt.
- Zinc finish offers resistance to corrosion.
- Quick and easy to install.
- Easily removable for temporary or maintenance jobs.



Code	GMFX65	GMFX67	GMFX102	GMFX34	GMFX190	GMFX192
Size	4.2 x 13mm	4.2 x 19mm	4.2 x 13mm	4.2 x 19mm	4.2 x 13mm	4.2 x 25mm
Head Type	Pan Head	Pan Head	Hex Head	Hex Head	Wafer Head	Wafer Head
Drive	#2 Square	#2 Square	7mm	7mm	PH2	PH2
Drive Bit Included	Yes	Yes	No	No	Yes	Yes
Pack Size	1000	1000	1000	1000	1000	1000
Dimension (L)	13mm	19mm	13mm	19mm	13mm	25mm
Dimension (D)	4.15	4.15	4.20	4.15	4.15	4.20
Dimension (F)	7.95	7.95	8.60	8.60	10.75	10.75
Dimension (K)	3.5	3.0	4.0	4.17	2.0	2.0



The information in this datasheet is intended for reference purposes only and may be modified at any time without prior notice or obligation. All data is provided in good faith and is accurate to the best of our knowledge at the time of release.