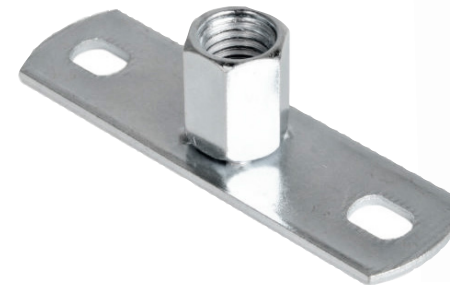




# Munson Bases

Used to attached studding to a flat surface  
Dual tapped to accept M8 or M10 threads  
Zinc plated (BZP)

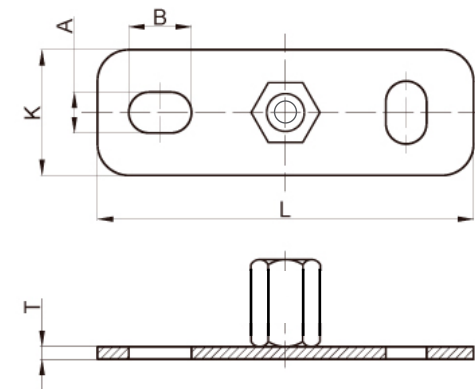


Code	Description
GMJ12A-25	Dual Tapped Munson Bases - pk 25

## DIMENSIONS

A 9mm  
B 18mm  
K 30mm  
T 2mm

**Load Rating: 200kg**  
**(For vertical static**  
**loads only)**



The information in this datasheet is intended for reference purposes only and may be modified at any time without prior notice or obligation. All data is provided in good faith and is accurate to the best of our knowledge at the time of release.